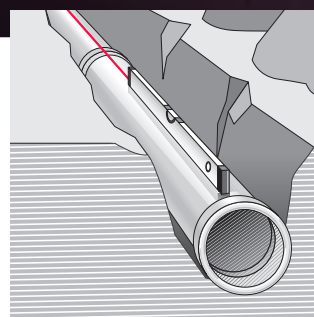




This is how BMI LASER technology facilitates your work:

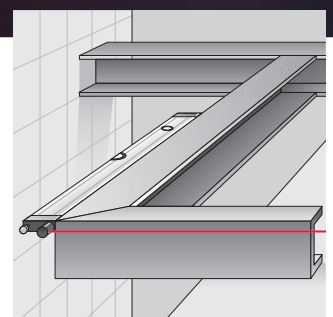
BMI laser systems are suitable for a wide range of measuring, alignment and levelling tasks.

Some basic applications are exemplified here:



The laser beam replaces the levelling line for

- Projecting slopes and gradients
- Setting alignments
- Checking the smoothness of walls and other surfaces



Determine right angles without other tools and auxiliary constructions when

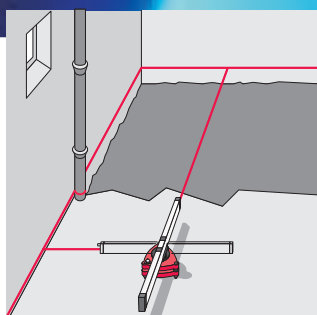
- Installing partitions
- Installing floors and platforms
- Checking angles of fabrications and steelwork

LASER Technology

In 1994, BMI was the first to present laser levelling systems for trade and industry. The program has been continuously advanced and today, the user is offered ingenious, practical devices. From laser levels with useful accessories and levelling sets up to fully automatic rotating laser systems, BMI provides the perfect product for your application. The advantage – then and now – has always been the tremendous time efficiency of these single-hand operated levelling systems.

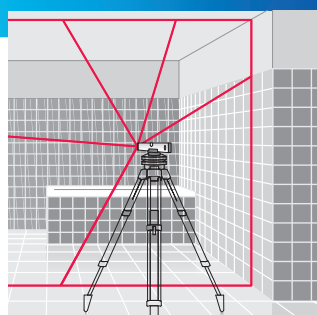
ADVANTAGES

- BMI LASER technology complies with international safety standards; all devices conform to laser class 2; power output < 1 mW.
- BMI LASER technology is robust, suited to the workshop and has been developed for practical application.
- BMI LASER technology offers service at first hand.



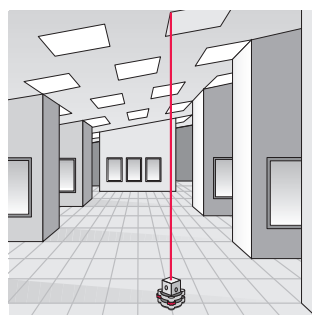
Save time-consuming measurements in the horizontal plane when

- Installing ceilings
- Marking the correct height of electrical outlets and switches
- Marking the upper line of tiled areas



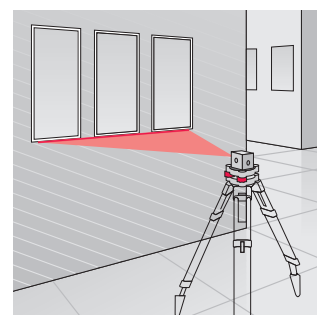
Save time-consuming measurements in the vertical plane when

- Installing partitions
- Installing display windows
- Establishing tiling columns



Replace the traditional plumb line to determine vertical references from the floor to the ceiling when

- Installing ceiling lighting
- Mounting conductor rails
- Installing fittings for ceiling panels



The line laser replaces the snap line when

- Mounting advertising billboards
- Ensuring the correct horizontal alignment of tiles
- Hanging up posters and pictures

LASERBOY II

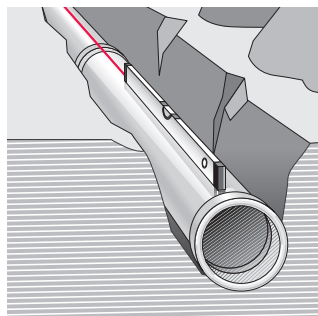
Clamp-on laser unit for easy handling, which turns every spirit level or straight-edge with a profile of 18 - 24 mm width into a laser level. 2 brass knurled screws ensure a tight connection. The device has a vial of its own (mounting accuracy 0.5 mm/m). Thus the Laserboy II can also be used for stand-alone operation. The parallelism of the beam axis is 0.2 mm/m in relation to the bearing surface. A 3/8 inch thread allows attachment on a video tripod. High-impact glass fibre reinforced case. The LASERBOY II offers the option to use deflecting or beam splitting prisms. Delivery: in cardboard box or blister packed display card.

Technical Data:

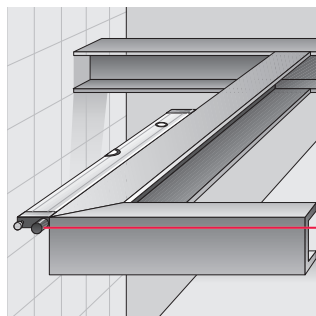
- Class 2, output < 1 mW
- Wavelength 670 nm
- Range approx. 30 m
- 2 x 1.5 V batteries (LR03 Micro)
- reverse battery protected
- 8 hours continuous light
- Dust and splash-water protected
- Dimensions L/W/H approx. 165 x 55 x 45 mm

Batteries are included in the scope of deliver

Length	165 mm
Order no.	649 015
Price	



Basic application possible without accessories



Accessories:

Beam deflecting prism and adapter. For basic application: setting up right angle

Order no. 708 19 52

Price



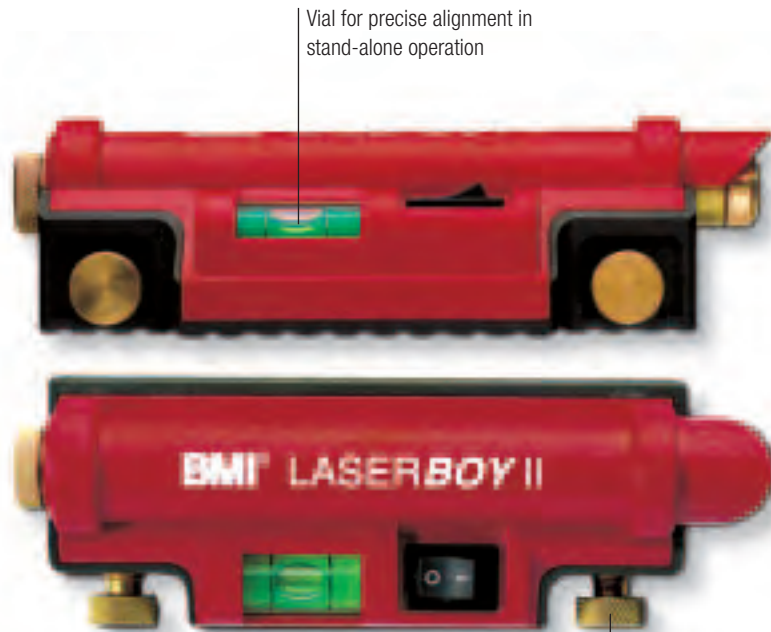
Accessories:

90° beam splitting prism 90 % of the light are deflected by 90°, 10 % are emitted alongside the beam axis.

Accuracy 0.15 mm/m

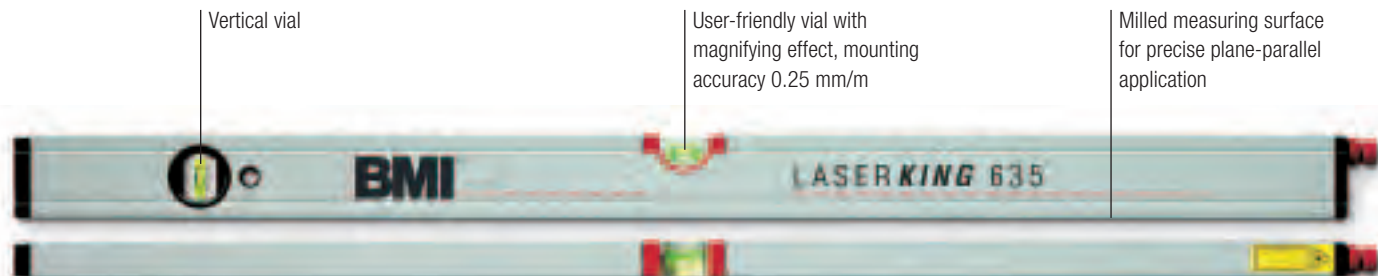
Order no. 7081955

Price



2 brass knurled screws ensure tight connection

LASERKING



Vertical vial

User-friendly vial with magnifying effect, mounting accuracy 0.25 mm/m

Milled measuring surface for precise plane-parallel application

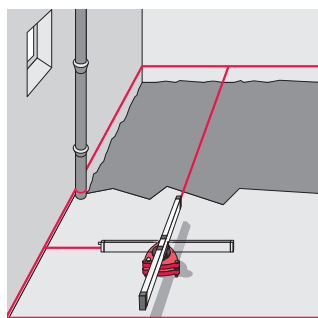
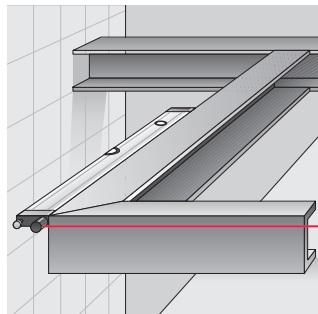
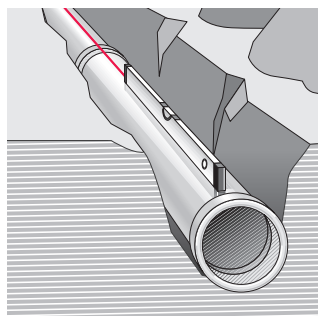
Laserking 670/Laserking 635:

Laser level made of aluminium profile, grey powder coating, with milled measuring surface. Available in two laser wavelengths: with 670 nm or 635 nm. A beam of the 635 nm wavelength is about 10 times better visible to the human eye than a beam of the 670 nm wavelength. The laser module is designed for use on the construction site and has therefore been cast into the aluminium profile. The parallelism of the beam axis is 0.1 mm/m in relation to the measuring plane. The mounting tolerance of the horizontal vial is 0.25 mm/m. All LASERKING models can optionally be used with deflecting or beam splitting prisms. A built-in magnetic system ensures safe fixing on the BMI levelling platform. Delivery: in sturdy, translucent two-part threaded plastic tube.

Technical Data:

- Class 2, output < 1 mW
- 670 or 635 nm wavelength
- Ranges approx. 30 m (670 nm), and 50 m (635 nm)
- 2 x 1.5 V batteries (LR03 Micro)
- reverse batteries protection
- 8 hours continuous light
- dust and splash-water protected
- Length: 80 cm

Batteries are included in the scope of deliver



Basic application possible without accessories

Length in cm	80	80
Order no.	670	635
Price		

Accessories:

Beam deflecting prism and adapter.

For basic application: setting up right angle!

Order no. 708 19 52

Price



Accessories:

90° beam splitting prism
90% of the light are deflected by 90°, 10% are emitted alongside the beam axis.

Accuracy 0.15 mm/m

Order no. 7081955

Price



Accessories:

Compact levelling platform.
For basic application: measuring horizontal plane!

Order no. 711 329

Price



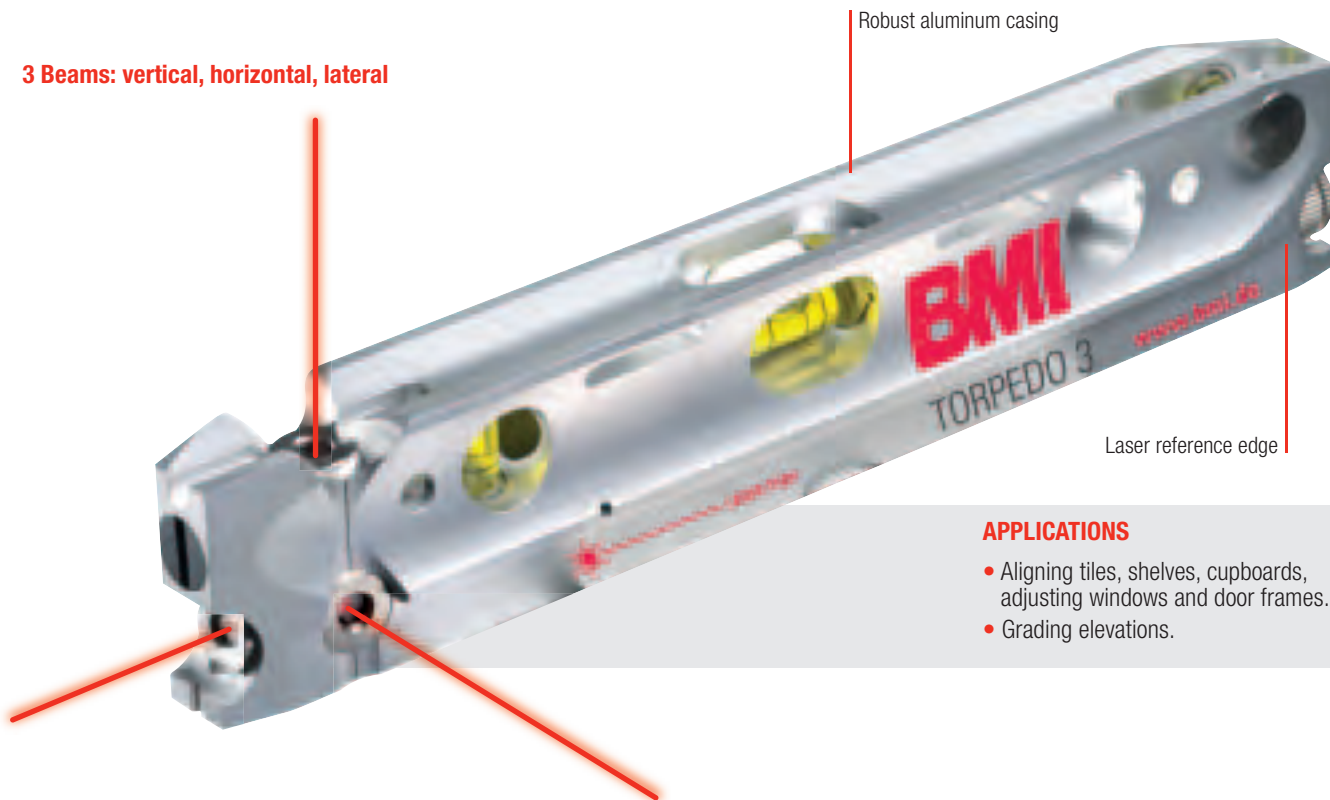
TORPEDO 3

- Time-saving precision laser tool.
- Robust aluminium casing.
- Strong magnets in the measuring surface.
- Easy to use.

- Blister pack, with leveling platform (not illustrated).
- Batteries included.

Order no.: 650 024 635 M-SET

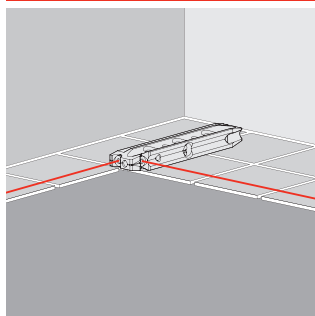
3 Beams: vertical, horizontal, lateral



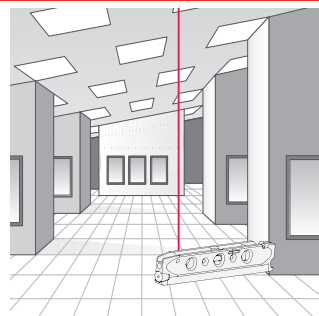
APPLICATIONS

- Aligning tiles, shelves, cupboards, adjusting windows and door frames.
- Grading elevations.

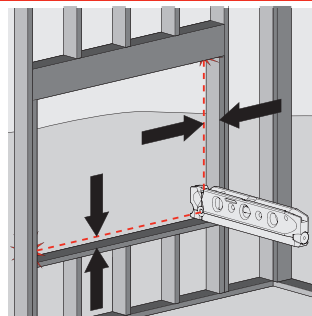
and it can help you do all the following ...



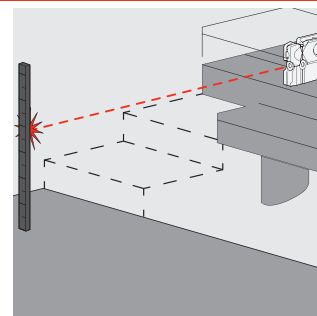
Aligning tiles



Plumb beam



90° angles



Grading elevations

Technical Data TORPEDO 3

Type of Laser	red diode laser, wavelength 635 nm
Output	laser class 2
Manual leveling	3 bubble vials
Leveling-platform	
Accuracy	± 6 mm/20 m
Range	up to 30 m

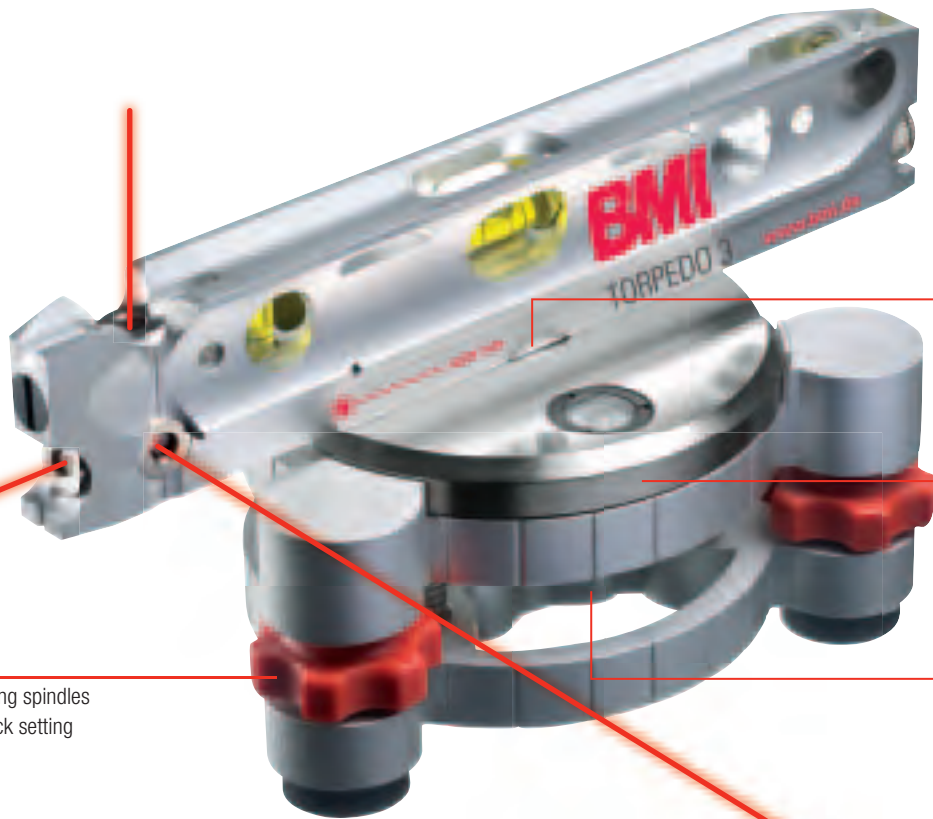
Power Supply	3 x 1.5 V batteries size AAA LR03A
Tripod connection size	1/4"
Operating temperature	-10° C to 50° C
Casing	dust, dirt and waterproof
Dimensions	240 x 25 x 45 mm
Weight	415 g

TORPEDO 3 leveling-set

- TORPEDO 3.
- Rotating metal-leveling-platform.
- 90° angle prism.
- Laser enhancement spectacles.

- Plastic carrying case.
- Batteries included.

Order no.: 650 040 635 COMP



Strong magnets for safe mounting on the rotating disc



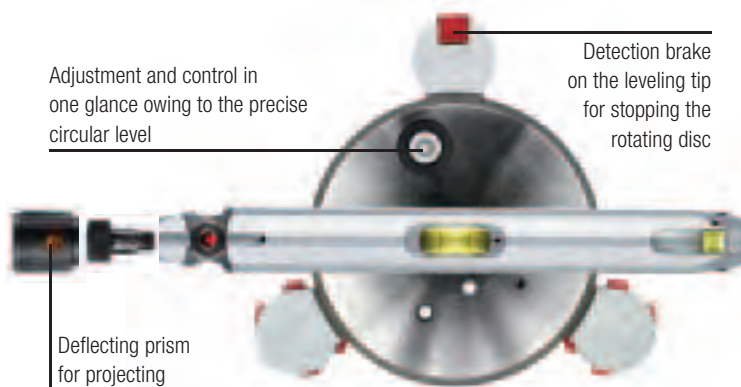
Rotating, ball bearing-supported disc

Adjusting spindles for quick setting

Tripod connection size 1/4", 3/8" and 5/8"

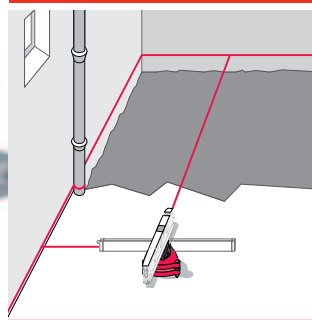
Adjustment and control in one glance owing to the precise circular level

Detection brake on the leveling tip for stopping the rotating disc

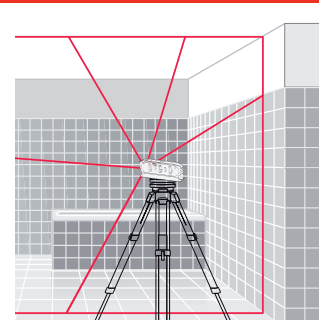


Deflecting prism for projecting vertical views

and In Addition it can help you do all the following ...



Reference markings



Vertical view



set includes TORPEDO 3

TORPEDO 3

- 3-Beam-Laser.

Metal-leveling-platform

- For quick setting of horizontal lines.
- Heavy, metal design.
- Using on the floor or on a tripod.

90° angle prism

- Pentagonal prism, deflects the laser beam by 90°.

Laser enhancement spectacles

- Making the laser dot clearly visible in unfavorable light conditions.

Plastic carrying case

- Dimensions 450 x 300 x 160 mm.
- Set weight: 2.1 kg

autoCROSS 2

- Self-leveling crossline laser.
- Vertical and horizontal lines can be switched on separately.
- Can be used as optical chalk line.
- Complete in a bag.
- Batteries included.

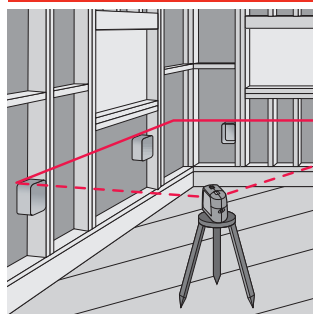
Order no.: 654 7715/2

Super High Visibility Beams

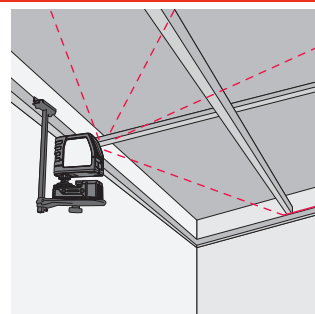


An aperture angle of 140° vertical and 120° horizontal gives you extraordinary line lengths.

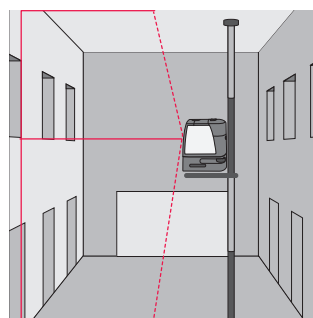
and it can help you do all the following ...



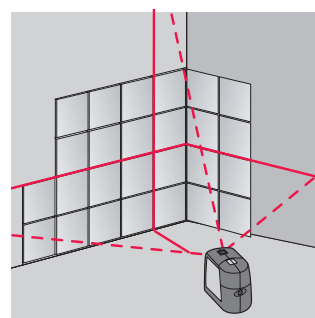
Markings for floors, electrical...



...and drop ceilings



Plumb line (carpentry)



Cross line to align tiles etc.

- **Self-leveling mechanism** – eliminates set up time and guarantees accuracy by using a magnetically subdued pendulum.
- **Automatic out-of-level sensing** – by blinking laser beam.
- **Locked line angle** – take unit out of self-leveling mode and lock line in place allowing you to set unit at any angle.
- **Multipurpose attachment accessory** – with strong magnets, tripod mount and straps: set up 45° angles on all lines and rotate 360°.

Technical Data autoCROSS 2

Type of laser	red diode laser, wavelength 635 nm
Output	laser class 2
Leveling	automatic (pendulum)
Self-leveling-range	± 4°
Accuracy	± 3 mm/10 m
Range	up to 30 m, based on brightness
Power supply	3 x 1.5 V batteries size AA LR6
Aperture angle	140° vertical and 120° horizontal
Out-of-level indicator	blinking laser lines
Tripod connection size	1/4"
Operating temperature	-10° C to 50° C
Storage temperature	-20° C to 70° C
Dimensions	110 x 54 x 90 mm

Technical Data Adapter

Tripod connection size	1/4" sowie 5/8"
Attachment	magnets, straps, tripod
Swivel/tilt angle range	of 45° in all directions and rotation range of 360°
Dimensions	110 x 54 x 54 mm
Set Weight	770 g

vectorMAT 5

- **Motor-driven**, self-leveling 5-beam-laser.
- With upward and downward plumb line.
- The beams are not vibrate when there are shakes.
- 5 beams at the same time.
- Laser enhancement spectacles.

- Multi-purpose attachment accessory.
- Plastic carrying case.
- Batteries included.

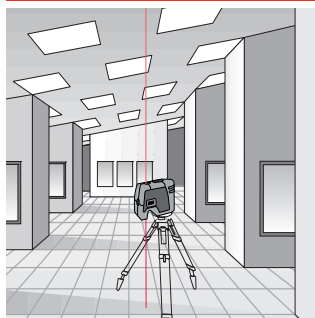
Order no.: 655 7610/5E

5 beams at the same time

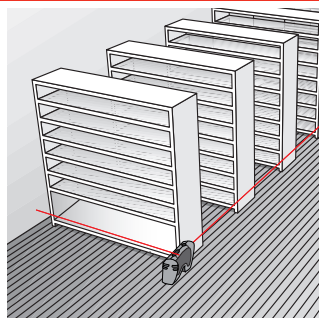


- Upright and downright plumb line.
- 90° angle beam.

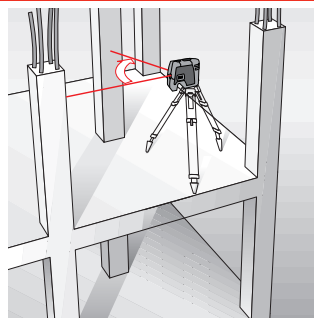
and it can help you do all the following ...



Plumb line up and down



90° angle



Dot relays

Technical Data

Type of laser	red diode laser, wavelength 635 nm
Output	laser class 2
Leveling	fully automatic (motor function)
Accuracy	± 6 mm/30 m
Range	up to 60 m, based on brightness
Power supply	4 x 1.5 V batteries size AA LR6
Tripod connection size	5/8"
Operating temperature	-10° C to 50° C
Dimensions	140 x 100 x 64 mm
Casing	dustproof, dirt-proof and waterproof

Technical Data Adapter

Tripod connection size	1/4", 5/8"
Fastening	magnets, straps, tripod
Dimensions	50 x 85 x 64 mm
Set Weight	1,7 kg

Make your choice!

	Features	topoMAT	Nautilus
	Protection against water	✓ Rainproof according to IP 55	✓ Waterproof according to IP 67
	Indoor-application	✓ Range with receiver Ø 300 m	✓ Range with receiver Ø 300 m
	Outdoor-application	✓ Range with receiver Ø 300 m	✓ Range with receiver Ø 300 m
	Power supply	3 batteries 1,5V mono LR20	Line powered and accumulator (Ni-MH)
	Electronic Safety Program	✓ Shock-monitored by ESP	✓ Shock-monitored by ESP
	Accuracy	± 2,6 mm / 30 m	± 2,6 mm / 30 m
	All-taken-care-of-package	3-year-warranty First inspection included Help in case of defects	3-year-warranty First inspection included Help in case of defects
	Vertical levelling	✓	
	Continuous inclination	✓	
	Right angle 90°	✓	
	Plumb line	✓	
	Horizontal levelling	✓	✓
	Remote control	✓	
	Visible line	✓	

Construction Laser (waterproof/horizontal)

NAUTILUS IPX7

- Does not know what "bad weather" means
- Use it under severe conditions on the construction site
- Set it up, switch it on and begin (single-button-control)
- Robust, accurate and safe by means of ESP (Electronic Safety Program)
- Line-powered or accumulator

Order no.: 648 03 AH SET



Electronic Safety Program:

automatic laser stop
in case of shocks or changes
in position



Robust aluminium casing

Shock protection with a
circulating plastic shock absorber



With rechargeable battery
(Ni-MH; without memory effect)



Waterproof IP67 compliant



Waterproof
IP67 compliant

Photodiode hand receiver to
ensure optimum functioning of
the laser within a working
range up to a distance of 150 m

- Accoustic and optical receiving signal
- LCD display at the front side for easy and practical handling

The complete set with the practical carrying bag:

- NAUTILUS IPX7.
- Receiver with staff clamp
- Charging set
- Operating instruction
- Accumulator set (Ni-MH) and batteries for the receiver



THE ALL-TAKEN-CARE-OF-PACKAGE:

- 3-year-warranty
- Original inspection included
- Quick help in case of defects

Technical Data	
Type of laser	red diode laser, wave length 650 nm
Output	< 1 mw; laser class 2
Self-levelling range	approx. ± 4° corresponds to ± 6%
Levelling accuracy	± 2.6 mm/30 m
Levelling time	< 30 sec.
Operating range	-10° C to 50° C
Range	300 m Ø with receiver
Speed	600 rotations/min.
Power supply	line-powered or accumulator (Ni-MH) 4 x 1.2 V Baby, size A, LR 14
Service life	50 hrs

Protective system	waterproof IP 67 compliant
Tripod connection size	5/8 inch (tripod)
Dimensions	ca. 170 x 170 x 220 mm
Weight	2.5 kg
Receiver	
Range	150 m
Protective system	waterproof IP 67 compliant
Power supply	2 x 1.5 Volt Mignon AA LR6
Service life	according to usage

topoMAT IPX5

- Needs no more than one person to take care of leveling jobs!
- Efficient, automatic and safe in all situations.
- A universal leveling system for various jobs.



THE ALL-TAKEN-CARE-OF-PACKAGE:

- 3-year-warranty
- Original inspection included
- Quick help in case of defects

Precision and safety:

- As a result of the automatic self-leveling function with an accuracy of $\pm 2,6$ mm/30 m
- Automatic laserstop function in case of impact or other changes of position.



Electronic Safety Program



Photodiode hand receiver to ensure optimum functioning of the laser within a working range up to a distance of 150 m

- Acoustic and optical receiving signal
- LCD display at the front side for easy and practical handling

Laser operating modes:

- Rotation – with 600, 300 and 100 rotations per minute – to choose the optimum task-suited rotation speed!
- Line-mode – with settings of 15, 30, or 45 degrees – to create visible laser lines or different lengths especially inside buildings!
- Dot-line mode – to the right or left – optional for the slow or fast retracing of laser dots or laser lines – function can be enabled directly at the laser or via remote control!
- Permanent angle through the firmly connected beam splitting prism.



Rainproof IP55 compliant



Waterproof IP67 compliant

Automatic self-levelling:

Requires only rough setting with the help of the built-in bulls-eye vial

Far-reaching infra-red remote control for every laser operating mode



The electronic inclination measure allows fast measuring of inclinations between 0 and 90 degrees. The angle measure is detachable and can be used solo.

The topoMAT is also available without the inclinometer.

Set-Order no.: 648 02N SET **incl.** inclinometer
Set-Order no. topoMAT IPX5: 648 02B SET **without** inclinometer
Order no. inclinometer: 648 10 Z

No time-consuming modification:

Fast **variable** changing from horizontal to vertical operation with lockable 90° tilting joint

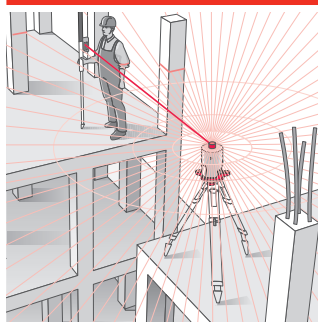


Complete laser set comes in robust storage and transport case:

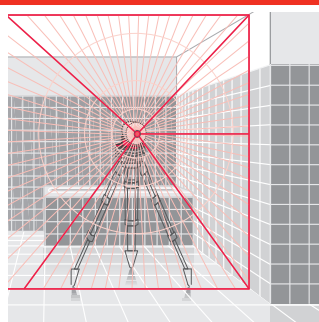
- Rotating laser topoMAT IPX5
- Electronic inclinometer
- Remote control
- Hand receiver
- Wall bracket
- Clamp for telescopic levelling staff
- Diagrammed operating manual
- Batteries are included in the scope of delivery



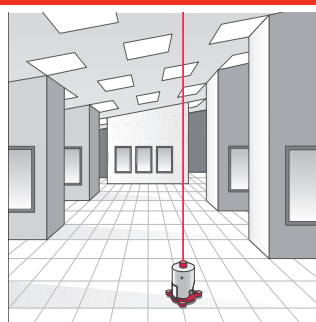
Operating range



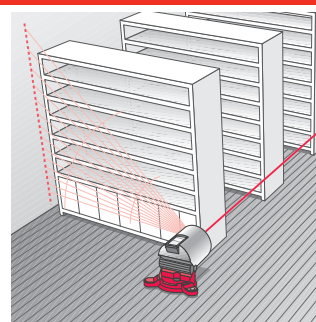
Horizontal plane



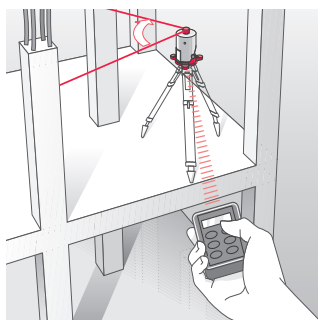
Vertical plane



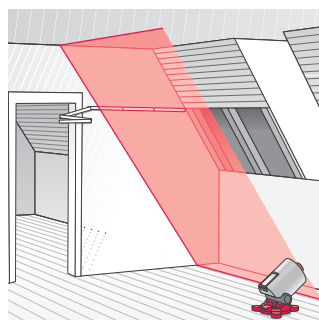
Plumb line



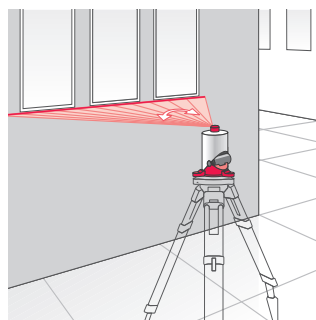
90° angle



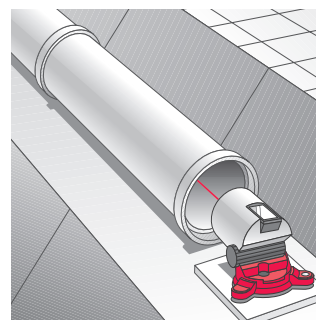
Spot projection



Inclinations



Line projection



Working along the beam

Technical Data topoMAT ipx5

Type of laser	Red diode laser, wavelength 635 nm
Output	< 1mW, Laser class 2
Self-levelling range	approx. ± 4° corresponds to approx. ± 6%
Levelling accuracy	± 2,6 mm/30 m
Levelling time	typically < 30 sec.
Laser range	300 m diameter with detector
Speed	600/300/100 rotations per min
Lines	Scanning function with 15°, 30° and 45° spreading
Remote control. dot/line	slow and fast left/right
Power supply	3 x 1.5 Volt Mono LR 20
Operating period	approx. 70 hours
Operating period	IP55, rainproof
Tripod connection size	5/8 inch (surveyor's tripod)

Weight	2.3 kg
Dimensions	approx. 200 x 200 x 250 mm
Remote Control	
Range	up to 50 m depending on position in direction of receiver lens
Power supply	9 V block 6 LR61
Operating period	depending on the degree of utilization
Receiver	
Range	approx. 150 m
Degree of protection	IP67, waterproof
Power supply	2 x 1,5 Volt Mignon AA LR6
Operating period	depending on the degree of utilization

Accessories

Crank-Operated Tripod

- Especially recommended for the rotating laser topoMAT and NAUTILUS
- Sturdy light metal design
- Ground spikes
- Circular bubble
- Connecting thread 5/8 inch
- min. length 112 cm, max. length 242 cm
- Crank lift 350mm
- Weight 5760 g

Order no.: 711 312

A min. height of less than 1 m incl. the topoMAT tripod itself can be reached.



Surveyor's Tripod

- Sturdy light metal design
- Ground spikes
- Connecting thread 5/8 inch
- Min. length 105 cm, max. length 160 cm
- Weight 5860 g

Order no.: 711 317

Surveyor's Tripod (no illustration)

- Sturdy light metal design
- Ground spikes
- Connecting thread 5/8 inch
- min. length 58 cm, max. length 85 cm
- Weight 3920 g

Order no.: 711 315

Other tripod designs on request!

Photo Tripod

- Robust photo tripod recommended for Torpedo 3 and autoCROSS 2.
- Tripod connection size 1/4".
- 3-D tip made of metal.
- Vials.
- Operating height of 310 to 1440 mm.
- Weight 1020 g.

Order no.: 711 212-01



Laser Enhancement Spectacles

- Make the laser dot clearly visible in unfavourable light conditions.

Order no.: 711 330

Telescopic Levelling Staff

- Made of aluminium profile
- Box section 20 x 30 mm
- Extends from 130 cm (51") to 240 cm (94")
- The telescopic levelling staff allows to read height differences algebraically correct.

Order no.: 705 213 00

Can be especially recommended for the rotating laser topoMAT!



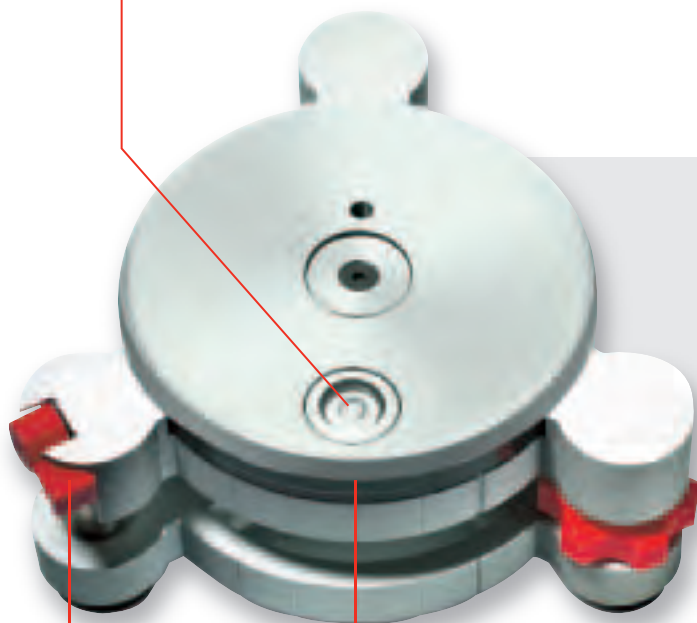
Control and align at one glance using precise circular bubbles

Compact-Levelling Platform

- For the quick and precise measurement of horizontal planes
- Hold all kinds of BMI laser levels
- Heavy-weight metal design
- Quick adjustment with 2 knurled screws.
- The device can be used as a stand-alone unit on the floor or on a tripod. (1/4, 3/8 and 5/8inch thread)

Order no.: 711 329

A spring bracket to fasten laser levels without magnets or other manufacturer's is included in the scope of delivery.



Emergency brake



Levelling platform with ball bearing

Leica DISTO™

The entire DISTO family is available !

- Small and very handy
- Incredible time-saving during measurements.

Order no. Leica DISTO™ A2: 658 060/A2

Order no. Leica DISTO™ A3: 658 100/A3

Order no. Leica DISTO™ A5: 658 200/A5

Order no. Leica DISTO™ A6: 658 200/A6

Order no. Leica DISTO™ A8: 658 200/A8



Leica DISTO™ A2



Leica DISTO™ A3



Leica DISTO™ A5



Leica DISTO™ A6



Leica DISTO™ A8

Technical Data					
	Leica DISTO™ A2	Leica DISTO™ A3	Leica DISTO™ A5	Leica DISTO™ A6	Leica DISTO™ A8
Accuracy of measurement typically	± 1.5 mm	± 1.5 mm	± 2 mm	± 1.5 mm	± 1.5 mm
Range	0.05 m to 60 m	0.05 m to 100 m	0.05 m to 200 m	0.05 m to 200 m	0.05 m to 200 m
Power Range Technology™		•	•	•	•
Minimum and maximum measurement		•	•	•	•
Permanent measurement	•	•	•	•	•
Addition/Subtraktion	•	•	•	•	•
Planimetry and volume meter	•	•	•	•	•
Cubic measure calculation			•	•	•
Indirect measurement using Pythagoras			•	•	•
Indirect measurement using inclinometer					•
Built-in telescopic viewer			•	•	digital targeting with triple zoom
Storing of the constants			1	1	1
Polling of the most recent measurements		19	20	20	30
Autotimer			•	•	•
Free software, data interface				Yes, Bluetooth™	
Multifunctional end-piece			•	•	•
Built-in vial		•	•	•	•
Tripod connection size			•	•	•
Power supply	9 V Block	2 x 1.5 V Typ AAA	2 x 1.5 V Typ AA	2 x 1.5 V Typ AA	2 x 1.5 V Typ AA
Type of protection			rainproof and dustproof, IP54 compliant		
Dimensions	124 x 54 x 35 mm	135 x 45 x 21 mm	148 x 64 x 36 mm	148 x 64 x 36 mm	148 x 64 x 36 mm
Weight (incl. batteries)	155 g	145 g	241 g	270 g	280 g

Builder's level

- Automatic self-levelling.
- Very short target distance.
- Additional rough sighting.

Instrument with box
Instrument with box, tripod, tenimeter

Order no.: 646 2024
Order no.: 646 2024 SET

Box

- Dimensions 270 x 170 x 180 mm.
- Weight 1.7 kg.



Waterproof IP67
compliant

Completely equipped including the box:

- Upright parting picture.
- Horizontal circle 400 gon
- Big and handy operating buttons
- Horizontal circle made of metal behind the glass.
- Continuous antagonistic spring control with resilience.
- Overwind protection of the focusing.
- Circular bubble for rough adjustment.
- Dimensions 220 x 135 x 135 mm.
- Weight 1.9 kg.



Technical Data Telescope

Magnification	x 24
Lens opening	36 mm
Length	200 mm
Shortest target distance	0.6 m
cm-estimate	150 m
Mid km-error	± 2.5 mm
Compensator	magnet
Dimensions	220 x 135 x 135 mm
Weight	1.9 kg

Technical Data Horizontal circle

Diameter	110 mm
Graduation	0 – 400 gon
Numbering	1 gon