

Quadrانfix



With the Quadrانfix it is very easy to measure or transfer angles. Just place and read from the clock or the LCD display. By means of vials you can establish the horizontal or vertical line. Solid design. The device can also be used as a level or circle.



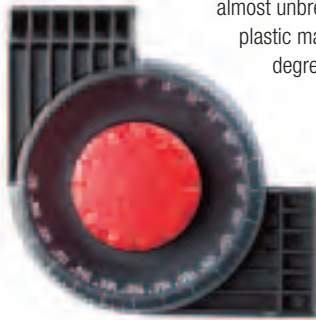
The angle is directly read from the measuring clock. Double scale of 0 – 90° and 90 – 180°.



The angle is directly read from the LCD display. Measuring range 355°. Indicates in 0.1° steps.

Order no.	Price	Length without needle point	remark
714 450 M		450 mm	clock version
714 600 M		600 mm	clock version
714 600 D		600 mm	LCD display (without needle point)

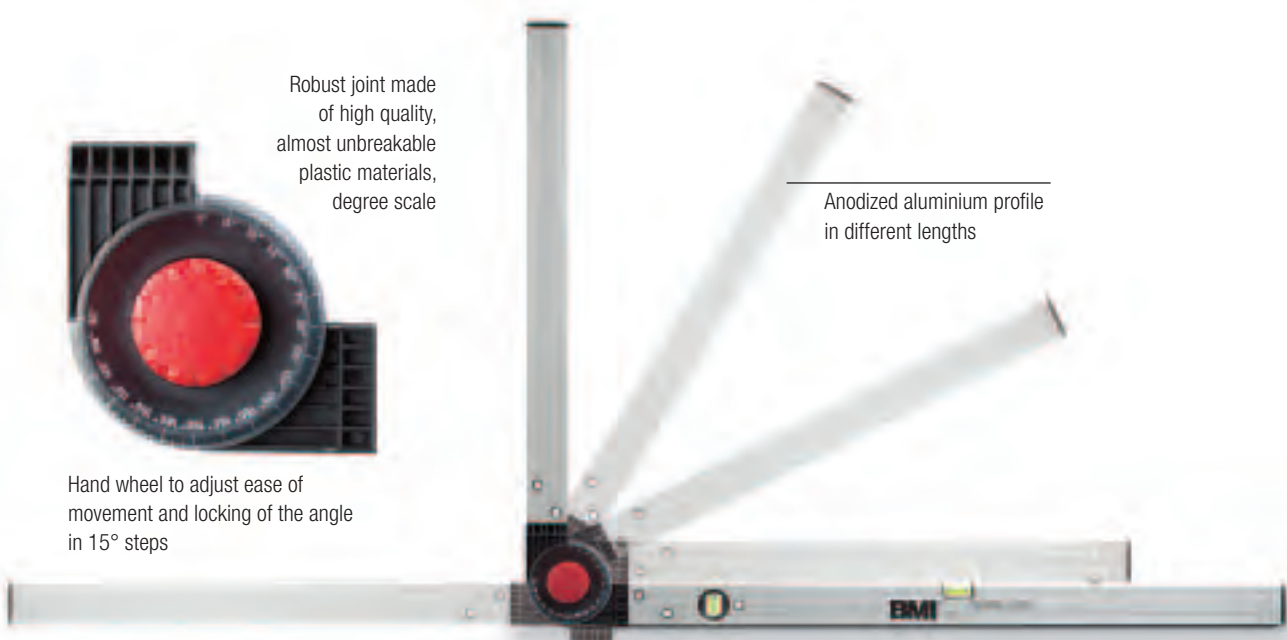
WINKELSTAR



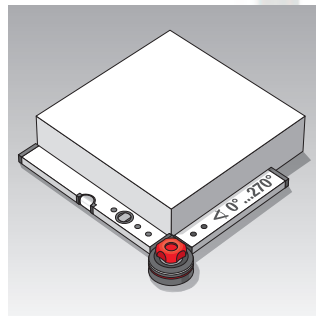
Robust joint made of high quality, almost unbreakable plastic materials, degree scale

Hand wheel to adjust ease of movement and locking of the angle in 15° steps

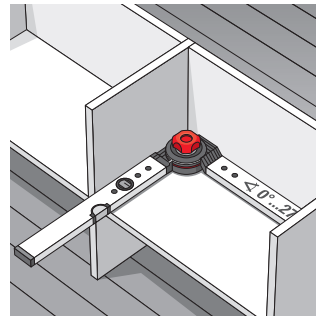
Anodized aluminium profile in different lengths



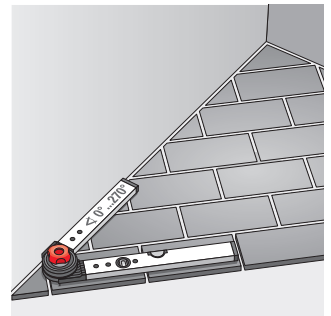
Robust foldable angle level for variable transfer or taking of angles of **0° to 270°**. The angles can be fixed in 15° steps. With the built-in vials it can also be used as a spirit level. Easy transport. Available in different sizes.



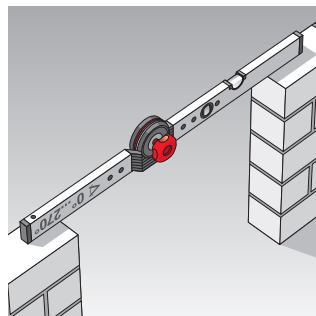
Outer 90° angle



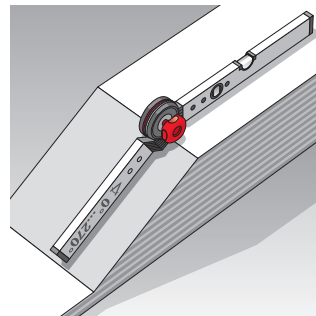
Inner 90° angle



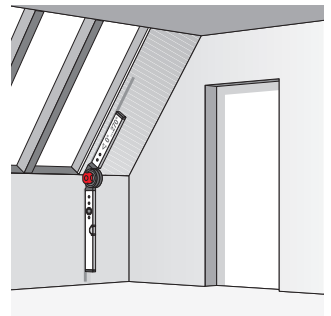
45° angle



Works as a level



Gradient/slope works



Works as a bevel

Order no.	Price	Short leg	Long leg
715 060 080		60 cm	80 cm
715 060 120		60 cm	120 cm
715 100 150		100 cm	150 cm
715 100 200		100 cm	200 cm

716 "8 in 1"

Joiner and mitre octo square!
 Foldable, fitting in every tool box,
 folding angle with 8 firm locking:
 0°, 22,5°, 45°, 67,5°, 90°,
 112,5°, 135°, and 157,5°,
 Lasting accuracy plus/minus
 0,05 degrees = 1 mm/m;
 leg made of anodised aluminium,
 blade made of stainless steel,
 graduation etched on both sides.



Order no.	Price	Length of blades mm	Leg length mm
716 200 137		200	80
716 300 162		300	120
716 400 182		400	150

950 Carpenter's Square/Coated

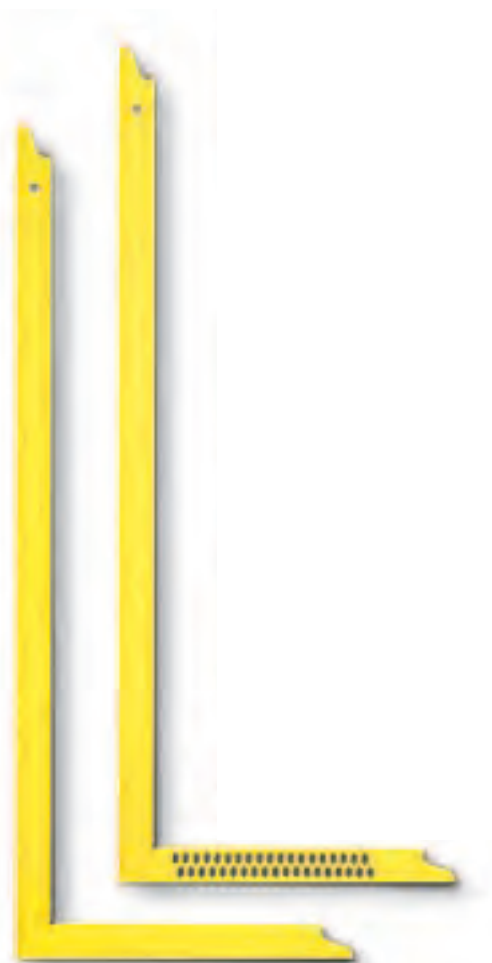
Carpenter's angle for drawing right
 angles and precise extension of
 cutting lines. Yellow, powder coated
 design with or without marking holes,
 mm-graduation.

without marking holes

Order no.	Price	Leg length mm
950 060 001		600
950 070 001		700
950 060 001		800
950 100 001		1000

with marking holes

Order no.	Price	Leg length mm
950 070 002		700
950 080 002		800
950 100 002		1000



Telescopic Measuring Staffs

709/709S "ideeFIX"

Two typical measuring devices have been merged into a very practical combination. Inside measurements can be done quickly and securely. The measurement of the pulled out rod can be read in the tape window. 3 vials ensure exact measuring in every position. A tool for many applications in the trade and in manufacturing. Indispensable for window and door fitters and for interior construction.

...spirit level and telescopic measuring rod in one product!

Measurement can be read precisely in the top window.

Measuring tolerance according to EC standard 73/362/EWG:
 up to 1 m ± 0,5 mm
 up to 2 m ± 0,7 mm
 up to 3 m ± 0,9 mm
 up to 4 m ± 1,1 mm
 up to 5 m ± 1,3 mm
 up to 6 m ± 1,5 mm

Strong and rigid aluminium profile, silver anodised

Horizontal and vertical vial: Measuring accuracy in normal position and in **inverted position** 0.5 mm/m.

Measuring end caps made of high-grade steel
(Also available with measuring tips for construction of roller-shutters)



Measurement can be read precisely in the top window.



Unbreakable rods made of glassfibre reinforced plastic (GFK). Measuring end cap made of high-grade steel.



Measuring of top edges.

Measuring range mm	Max. length mm	Order no.	Price	Order no. with pins	Price
500 up to 2.300	500	709 050 230		709 050 230 S	
650 up to 3.200	650	709 065 320		709 065 320 S	
800 up to 4.100	800	709 080 410		709 080 410 S	
1000 up to 5.100	1000	709 100 510		709 100 510 S	

*closed telescope

Telescopic Measuring Staffs

5035

Order no. 710 5035
Price

Max. length 5000
Min. length 1120
Telescope sections 5
Material Aluminium
Cross section mm 34/24
Weight in kg 1.2
Front graduation mm
Rear graduation –

Carrying case

Order no. 710 5004
Price



5054

Order no. 710 5054
Price

Max. length 4000
Min. length 1120
Telescope sections 4
Material Aluminium
Cross section mm 34/24
Weight in kg 1,0
Front graduation cm-E
Rear graduation mm

Carrying case

Order no. 710 5004
Price



5062/5064/5065

Order no. 710 5062
Price

Max. length 3000
Min. length 700
Telescope sections 6
Material Aluminium
Cross section mm 37,5/27,5
Weight in kg 1,3
Front graduation mm
Rear graduation –

Carrying case

Order no. 710 5006
Price

Order no. 710 5064
Price

Max. length 4000
Min. length 865
Telescope sections 6
Material Aluminium
Cross section mm 37,5/27,5
Weight in kg 1,5
Front graduation mm
Rear graduation –

Carrying case

Order no. 710 5005
Price

Order no. 710 5065
Price

Max. length 5000
Min. length 1070
Telescope sections 6
Material Aluminium
Cross section mm 37,5/27,5
Weight in kg 2,0
Front graduation mm
Rear graduation –

Carrying case **incl.**



5045/48

Order no. 710 5045
Price

Max. length 5000
Min. length 1030
Telescope sections 5
Material Aluminium square
Cross section mm 38/36
Weight in kg 2,0
Front graduation mm
Rear graduation –

Carrying case **incl.**

Order no. 710 5048
Price

Max. length 8000
Min. length 1530
Telescope sections 6
Material Aluminium square
Cross section mm 38/36
Weight in kg 2,6
Front graduation mm
Rear graduation –

Carrying case **incl.**

5075 digital

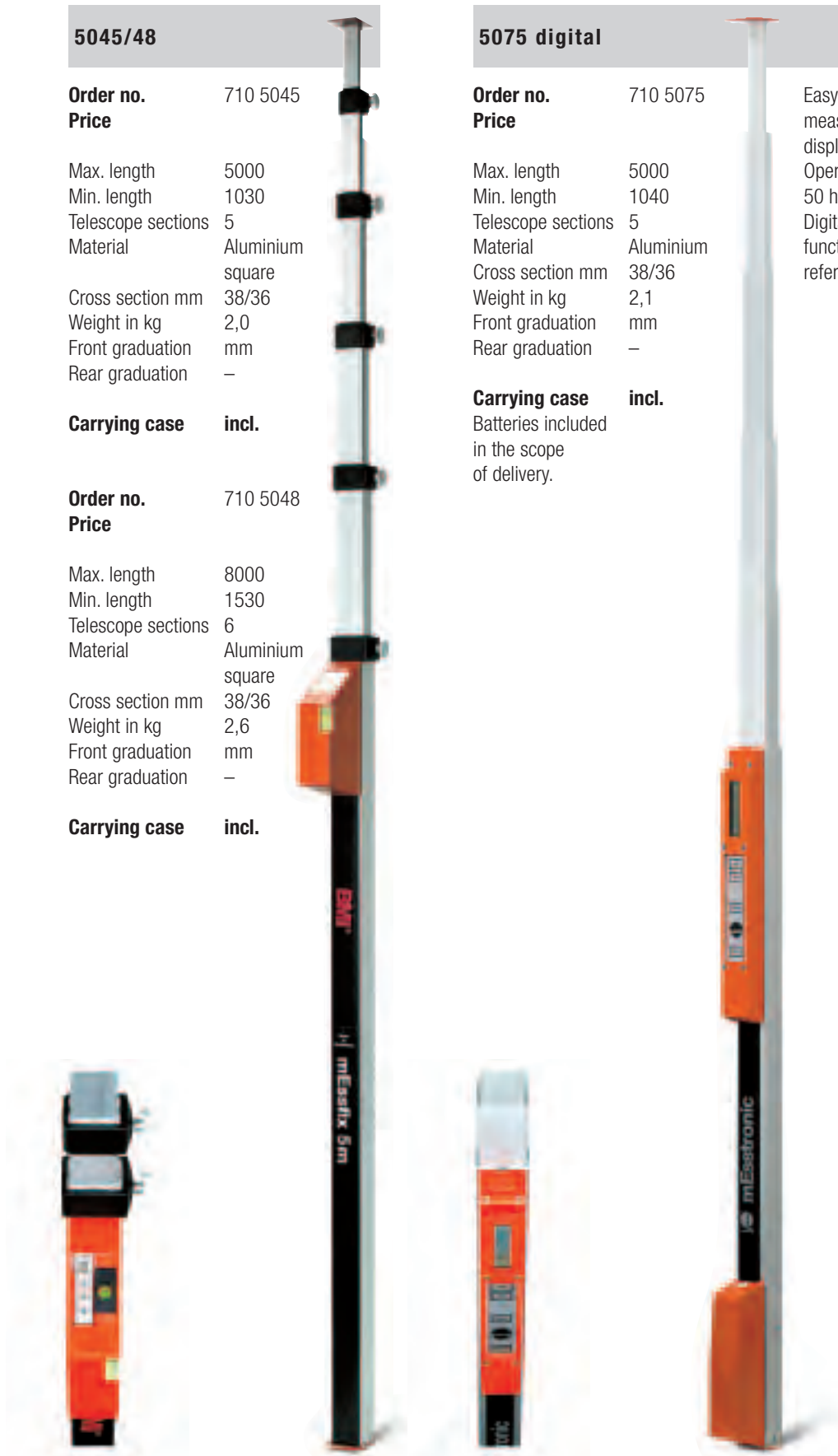
Order no. 710 5075
Price

Max. length 5000
Min. length 1040
Telescope sections 5
Material Aluminium
Cross section mm 38/36
Weight in kg 2,1
Front graduation mm
Rear graduation –

Carrying case **incl.**

Batteries included in the scope of delivery.

Easy-handling telescopic measuring staff with digital display, mm-graduation. Operating period approx. 50 h non-stop. Digital display with hold function and setting of reference point.



Surveyor's equipment requires good handling, especially when it is used for measuring larger distances. With the make-up of our distance measuring devices we have focussed on easing the user's work. From BMI you will obtain the right distance measuring device for a broad range of applications.

Mini Rollfix



Rollfix Easy



ADVANTAGES

- Conscious selection of materials for long working life
- Weight-reduced construction for ease of handling
- All measuring wheels can be folded to a compact size to facilitate transport
- Precision counters for accurate measurements

Mini Rollfix

This small, compact **tandem-wheel** Rollfix is especially suited for the use on solid, even grounds for comparatively short distances. **Forward and backward measuring** (with a simple correction when the target point has been passed), lever-operated counter reset. The guiding rod can be folded for transport.

Measuring range: 99.999,99 m
Resolution: 1 cm
Wheel diameter: 159.2 mm = 0,5 m girth
Total height: 950 mm
Total weight: 1.25 kg

Order no.
700 1990 Mini Rollfix

Rollfix Easy

This distance measuring device made of high-quality plastic includes both the advantage of little weight and the benefit of a large measuring wheel. **Forward and backward measuring** (with a simple correction when the target point has been passed), lever-operated counter reset. The swing-out parking rack and the built-in parking brake facilitate handling. The guiding rod can be folded for transport.

Measuring range: 99.999.99 m
Resolution: 1 cm
Wheel diameter: 318.3 mm = 1 m girth
Total height: 990 mm
Total weight: 2.2 kg

Order no.
700 1994 Rollfix Easy

Rollfix Standard



Rollfix Standard

Heavy, sturdy, **disk-type steel wheel** with solid rubber tyre. **Forward and backward measuring** (with a simple correction when the target point has been passed), lever-operated counter reset. The swing-out parking rack and the built-in parking brake facilitate handling. The guiding rod can be folded for transport.

Measuring range: 9,999.99 m
Resolution: 1 cm
Wheel diameter: 318.3 mm = 1 m girth
Total height: 1090 mm
Total weight: 3.9 kg

Tolerance: less than 0.05 %

We recommend our transport case as an accessory.

Order no.
700 1995 Rollfix Standard

Rollfix Super



Rollfix Super

Heavy, **disk-type steel wheel** with solid rubber tyre. **Forward and backward measuring**, lever-operated counter reset. Wheel and frame have been painted in the **signalling colour red**, facilitate handling. The guiding rod can be folded for transport. The swing-out parking rack and the built-in parking brake facilitate handling. Track rail can be mounted.

Measuring range: 9,999.99 m
Resolution: 1 cm
Wheel diameter: 318.3 mm = 1 m girth
Total height: 1090 mm
Total weight: 3.9 kg

Tolerance: less than 0.02 %

TÜV-approved and suitable for calibration.

We recommend our transport case as an accessory.

Order no.
700 1992 Rollfix Super

Transport case



Transport case, imitation leather, for Rollfix STANDARD and Rollfix SUPER models, 2 safety locks. Handle. Weight 2.2 kg.

Order no.
700 1902 Transport case

Track Rail



Track Rail
Weight: 0.6 kg

Order no.
700 1993 Track rail